

SC7092&1
WASSCE 2020
GENERAL
KNOWLEDGE
IN ART 2&1
Essay and Objective
2 hours 20 minutes

2&1

Name.....

Index Number.....

THE WEST AFRICAN EXAMINATIONS COUNCIL

West African Senior School Certificate Examination
for School Candidates

SC 2020

GENERAL KNOWLEDGE IN ART 2&1

2 hours 20 minutes

Essay and Objective

*Do not open this booklet until you are told to do so. While you are waiting, read and observe the following instructions carefully. Write your **name** and **index number** in **ink** in the spaces provided above.*

*This booklet consists of **two** papers. Answer Paper 2 which comes first, in your answer booklet and Paper 1 in your Objective Test answer sheet. Paper 2 will last 1½ hours after which the answer booklet will be collected. Do **not** start Paper 1 until you are told to do so. Paper 1 will last **50** minutes.*

Answer **three** questions only.

Credit will be given for clarity of expression and orderly presentation of material.

1. Explain the following terms:
 - (a) spectrum; [4 marks]
 - (b) monoprinting; [4 marks]
 - (c) prototype; [4 marks]
 - (d) choreography; [4 marks]
 - (e) relief. [4 marks]

2.
 - (a) Define *digital art*. [2 marks]
 - (b) Explain **five** advantages of digital art. [15 marks]
 - (c) Name **three** input devices of the computer. [3 marks]

3. Discuss **ten** differences between *contemporary* and *indigenous art*. [20marks]

4. Explain **five** ways a successful hunt helped the caveman. [20 marks]

5.
 - (a) Who is *an ancestor*? [4 marks]
 - (b) In **four** ways, explain what are involved in ancestor veneration. [16 marks]

END OF ESSAY TEST

**DO NOT TURN OVER THIS PAGE
UNTIL YOU ARE TOLD TO DO SO.**

**YOU WILL BE PENALIZED SEVERELY IF YOU ARE
FOUND LOOKING AT THE NEXT PAGE BEFORE
YOU ARE TOLD TO DO SO.**

**WHILE YOU ARE WAITING, READ THE FOLLOWING
INSTRUCTIONS CAREFULLY**

PAPER 1
OBJECTIVE TEST
[40 marks]

50 minutes

1. Use 2B pencil throughout.
2. On the pre-printed answer sheet, check that the following details are **correctly** printed:
 - (a) In the space marked *Name*, check your **surname** followed by your **other names**.
 - (b) In the spaces marked *Examination*, *Year*, *Subject* and *Paper*, check 'WASSCE', 'SC2020', 'GENERAL KNOWLEDGE IN ART', and '1' in that order.
 - (c) In the box marked *Index Number*, your **index number** has been printed vertically in the spaces on the left-hand side, and each numbered space has been shaded in line with each digit. Reshade each of the shaded spaces.
 - (d) In the box marked *Subject Code*, the digits 709114 are printed vertically in the spaces on the left-hand side. Reshade the corresponding numbered spaces as you did for your index number.
3. An example is given below. This is for a male candidate whose *name* is Elliot Kofi AGBANA. His *index number* is 7102143958 and he is offering *General Knowledge in Art 1*.

**THE WEST AFRICAN EXAMINATIONS COUNCIL
ANSWER SHEET**

PRINTED IN BLOCK LETTERS AGBANA ELLIOT KOFI Name: _____ Examination: WASSCE Subject: GENERAL KNOWLEDGE IN ART	GHA Year: SC 2020 Paper: 1
--	---

INSTRUCTIONS TO CANDIDATES 1. Use grade 2B pencil throughout. 2. Answer each question by choosing one letter and shading it like this: <input type="checkbox"/> A <input type="checkbox"/> B <input type="checkbox"/> C <input type="checkbox"/> D <input type="checkbox"/> E 3. Erase completely any answer you wish to change. 4. Leave extra spaces blank if the answer spaces provided are more than you need. 5. Do not make any markings across the heavy black marks at the right hand edge of your answer sheet.
--

<table style="width: 100%; border-collapse: collapse;"> <tr> <th style="text-align: center; padding: 2px;">INDEX NUMBER</th> </tr> <tr> <td style="padding: 2px;">7 <input type="checkbox"/> 0 <input type="checkbox"/> 1 <input type="checkbox"/> 2 <input type="checkbox"/> 3 <input type="checkbox"/> 4 <input type="checkbox"/> 5 <input type="checkbox"/> 6 <input type="checkbox"/> 7 <input type="checkbox"/> 8 <input type="checkbox"/> 9</td> </tr> <tr> <td style="padding: 2px;">1 <input type="checkbox"/> 0 <input type="checkbox"/> 1 <input type="checkbox"/> 2 <input type="checkbox"/> 3 <input type="checkbox"/> 4 <input type="checkbox"/> 5 <input type="checkbox"/> 6 <input type="checkbox"/> 7 <input type="checkbox"/> 8 <input type="checkbox"/> 9</td> </tr> <tr> <td style="padding: 2px;">0 <input type="checkbox"/> 0 <input type="checkbox"/> 1 <input type="checkbox"/> 2 <input type="checkbox"/> 3 <input type="checkbox"/> 4 <input type="checkbox"/> 5 <input type="checkbox"/> 6 <input type="checkbox"/> 7 <input type="checkbox"/> 8 <input type="checkbox"/> 9</td> </tr> <tr> <td style="padding: 2px;">2 <input type="checkbox"/> 0 <input type="checkbox"/> 1 <input type="checkbox"/> 2 <input type="checkbox"/> 3 <input type="checkbox"/> 4 <input type="checkbox"/> 5 <input type="checkbox"/> 6 <input type="checkbox"/> 7 <input type="checkbox"/> 8 <input type="checkbox"/> 9</td> </tr> <tr> <td style="padding: 2px;">1 <input type="checkbox"/> 0 <input type="checkbox"/> 1 <input type="checkbox"/> 2 <input type="checkbox"/> 3 <input type="checkbox"/> 4 <input type="checkbox"/> 5 <input type="checkbox"/> 6 <input type="checkbox"/> 7 <input type="checkbox"/> 8 <input type="checkbox"/> 9</td> </tr> <tr> <td style="padding: 2px;">4 <input type="checkbox"/> 0 <input type="checkbox"/> 1 <input type="checkbox"/> 2 <input type="checkbox"/> 3 <input type="checkbox"/> 4 <input type="checkbox"/> 5 <input type="checkbox"/> 6 <input type="checkbox"/> 7 <input type="checkbox"/> 8 <input type="checkbox"/> 9</td> </tr> <tr> <td style="padding: 2px;">3 <input type="checkbox"/> 0 <input type="checkbox"/> 1 <input type="checkbox"/> 2 <input type="checkbox"/> 3 <input type="checkbox"/> 4 <input type="checkbox"/> 5 <input type="checkbox"/> 6 <input type="checkbox"/> 7 <input type="checkbox"/> 8 <input type="checkbox"/> 9</td> </tr> <tr> <td style="padding: 2px;">9 <input type="checkbox"/> 0 <input type="checkbox"/> 1 <input type="checkbox"/> 2 <input type="checkbox"/> 3 <input type="checkbox"/> 4 <input type="checkbox"/> 5 <input type="checkbox"/> 6 <input type="checkbox"/> 7 <input type="checkbox"/> 8 <input type="checkbox"/> 9</td> </tr> <tr> <td style="padding: 2px;">5 <input type="checkbox"/> 0 <input type="checkbox"/> 1 <input type="checkbox"/> 2 <input type="checkbox"/> 3 <input type="checkbox"/> 4 <input type="checkbox"/> 5 <input type="checkbox"/> 6 <input type="checkbox"/> 7 <input type="checkbox"/> 8 <input type="checkbox"/> 9</td> </tr> <tr> <td style="padding: 2px;">8 <input type="checkbox"/> 0 <input type="checkbox"/> 1 <input type="checkbox"/> 2 <input type="checkbox"/> 3 <input type="checkbox"/> 4 <input type="checkbox"/> 5 <input type="checkbox"/> 6 <input type="checkbox"/> 7 <input type="checkbox"/> 8 <input type="checkbox"/> 9</td> </tr> </table>	INDEX NUMBER	7 <input type="checkbox"/> 0 <input type="checkbox"/> 1 <input type="checkbox"/> 2 <input type="checkbox"/> 3 <input type="checkbox"/> 4 <input type="checkbox"/> 5 <input type="checkbox"/> 6 <input type="checkbox"/> 7 <input type="checkbox"/> 8 <input type="checkbox"/> 9	1 <input type="checkbox"/> 0 <input type="checkbox"/> 1 <input type="checkbox"/> 2 <input type="checkbox"/> 3 <input type="checkbox"/> 4 <input type="checkbox"/> 5 <input type="checkbox"/> 6 <input type="checkbox"/> 7 <input type="checkbox"/> 8 <input type="checkbox"/> 9	0 <input type="checkbox"/> 0 <input type="checkbox"/> 1 <input type="checkbox"/> 2 <input type="checkbox"/> 3 <input type="checkbox"/> 4 <input type="checkbox"/> 5 <input type="checkbox"/> 6 <input type="checkbox"/> 7 <input type="checkbox"/> 8 <input type="checkbox"/> 9	2 <input type="checkbox"/> 0 <input type="checkbox"/> 1 <input type="checkbox"/> 2 <input type="checkbox"/> 3 <input type="checkbox"/> 4 <input type="checkbox"/> 5 <input type="checkbox"/> 6 <input type="checkbox"/> 7 <input type="checkbox"/> 8 <input type="checkbox"/> 9	1 <input type="checkbox"/> 0 <input type="checkbox"/> 1 <input type="checkbox"/> 2 <input type="checkbox"/> 3 <input type="checkbox"/> 4 <input type="checkbox"/> 5 <input type="checkbox"/> 6 <input type="checkbox"/> 7 <input type="checkbox"/> 8 <input type="checkbox"/> 9	4 <input type="checkbox"/> 0 <input type="checkbox"/> 1 <input type="checkbox"/> 2 <input type="checkbox"/> 3 <input type="checkbox"/> 4 <input type="checkbox"/> 5 <input type="checkbox"/> 6 <input type="checkbox"/> 7 <input type="checkbox"/> 8 <input type="checkbox"/> 9	3 <input type="checkbox"/> 0 <input type="checkbox"/> 1 <input type="checkbox"/> 2 <input type="checkbox"/> 3 <input type="checkbox"/> 4 <input type="checkbox"/> 5 <input type="checkbox"/> 6 <input type="checkbox"/> 7 <input type="checkbox"/> 8 <input type="checkbox"/> 9	9 <input type="checkbox"/> 0 <input type="checkbox"/> 1 <input type="checkbox"/> 2 <input type="checkbox"/> 3 <input type="checkbox"/> 4 <input type="checkbox"/> 5 <input type="checkbox"/> 6 <input type="checkbox"/> 7 <input type="checkbox"/> 8 <input type="checkbox"/> 9	5 <input type="checkbox"/> 0 <input type="checkbox"/> 1 <input type="checkbox"/> 2 <input type="checkbox"/> 3 <input type="checkbox"/> 4 <input type="checkbox"/> 5 <input type="checkbox"/> 6 <input type="checkbox"/> 7 <input type="checkbox"/> 8 <input type="checkbox"/> 9	8 <input type="checkbox"/> 0 <input type="checkbox"/> 1 <input type="checkbox"/> 2 <input type="checkbox"/> 3 <input type="checkbox"/> 4 <input type="checkbox"/> 5 <input type="checkbox"/> 6 <input type="checkbox"/> 7 <input type="checkbox"/> 8 <input type="checkbox"/> 9	<table style="width: 100%; border-collapse: collapse;"> <tr> <th style="text-align: center; padding: 2px;">SUBJECT CODE</th> </tr> <tr> <td style="padding: 2px;">7 <input type="checkbox"/> 0 <input type="checkbox"/> 1 <input type="checkbox"/> 2 <input type="checkbox"/> 3 <input type="checkbox"/> 4 <input type="checkbox"/> 5 <input type="checkbox"/> 6 <input type="checkbox"/> 7 <input type="checkbox"/> 8 <input type="checkbox"/> 9</td> </tr> <tr> <td style="padding: 2px;">0 <input type="checkbox"/> 0 <input type="checkbox"/> 1 <input type="checkbox"/> 2 <input type="checkbox"/> 3 <input type="checkbox"/> 4 <input type="checkbox"/> 5 <input type="checkbox"/> 6 <input type="checkbox"/> 7 <input type="checkbox"/> 8 <input type="checkbox"/> 9</td> </tr> <tr> <td style="padding: 2px;">9 <input type="checkbox"/> 0 <input type="checkbox"/> 1 <input type="checkbox"/> 2 <input type="checkbox"/> 3 <input type="checkbox"/> 4 <input type="checkbox"/> 5 <input type="checkbox"/> 6 <input type="checkbox"/> 7 <input type="checkbox"/> 8 <input type="checkbox"/> 9</td> </tr> <tr> <td style="padding: 2px;">1 <input type="checkbox"/> 0 <input type="checkbox"/> 1 <input type="checkbox"/> 2 <input type="checkbox"/> 3 <input type="checkbox"/> 4 <input type="checkbox"/> 5 <input type="checkbox"/> 6 <input type="checkbox"/> 7 <input type="checkbox"/> 8 <input type="checkbox"/> 9</td> </tr> <tr> <td style="padding: 2px;">1 <input type="checkbox"/> 0 <input type="checkbox"/> 1 <input type="checkbox"/> 2 <input type="checkbox"/> 3 <input type="checkbox"/> 4 <input type="checkbox"/> 5 <input type="checkbox"/> 6 <input type="checkbox"/> 7 <input type="checkbox"/> 8 <input type="checkbox"/> 9</td> </tr> <tr> <td style="padding: 2px;">4 <input type="checkbox"/> 0 <input type="checkbox"/> 1 <input type="checkbox"/> 2 <input type="checkbox"/> 3 <input type="checkbox"/> 4 <input type="checkbox"/> 5 <input type="checkbox"/> 6 <input type="checkbox"/> 7 <input type="checkbox"/> 8 <input type="checkbox"/> 9</td> </tr> </table> <div style="border: 1px solid black; padding: 5px; margin-top: 10px;"> <p>For Supervisors only if candidate is absent <input type="checkbox"/> shade this space.</p> </div>	SUBJECT CODE	7 <input type="checkbox"/> 0 <input type="checkbox"/> 1 <input type="checkbox"/> 2 <input type="checkbox"/> 3 <input type="checkbox"/> 4 <input type="checkbox"/> 5 <input type="checkbox"/> 6 <input type="checkbox"/> 7 <input type="checkbox"/> 8 <input type="checkbox"/> 9	0 <input type="checkbox"/> 0 <input type="checkbox"/> 1 <input type="checkbox"/> 2 <input type="checkbox"/> 3 <input type="checkbox"/> 4 <input type="checkbox"/> 5 <input type="checkbox"/> 6 <input type="checkbox"/> 7 <input type="checkbox"/> 8 <input type="checkbox"/> 9	9 <input type="checkbox"/> 0 <input type="checkbox"/> 1 <input type="checkbox"/> 2 <input type="checkbox"/> 3 <input type="checkbox"/> 4 <input type="checkbox"/> 5 <input type="checkbox"/> 6 <input type="checkbox"/> 7 <input type="checkbox"/> 8 <input type="checkbox"/> 9	1 <input type="checkbox"/> 0 <input type="checkbox"/> 1 <input type="checkbox"/> 2 <input type="checkbox"/> 3 <input type="checkbox"/> 4 <input type="checkbox"/> 5 <input type="checkbox"/> 6 <input type="checkbox"/> 7 <input type="checkbox"/> 8 <input type="checkbox"/> 9	1 <input type="checkbox"/> 0 <input type="checkbox"/> 1 <input type="checkbox"/> 2 <input type="checkbox"/> 3 <input type="checkbox"/> 4 <input type="checkbox"/> 5 <input type="checkbox"/> 6 <input type="checkbox"/> 7 <input type="checkbox"/> 8 <input type="checkbox"/> 9	4 <input type="checkbox"/> 0 <input type="checkbox"/> 1 <input type="checkbox"/> 2 <input type="checkbox"/> 3 <input type="checkbox"/> 4 <input type="checkbox"/> 5 <input type="checkbox"/> 6 <input type="checkbox"/> 7 <input type="checkbox"/> 8 <input type="checkbox"/> 9
INDEX NUMBER																			
7 <input type="checkbox"/> 0 <input type="checkbox"/> 1 <input type="checkbox"/> 2 <input type="checkbox"/> 3 <input type="checkbox"/> 4 <input type="checkbox"/> 5 <input type="checkbox"/> 6 <input type="checkbox"/> 7 <input type="checkbox"/> 8 <input type="checkbox"/> 9																			
1 <input type="checkbox"/> 0 <input type="checkbox"/> 1 <input type="checkbox"/> 2 <input type="checkbox"/> 3 <input type="checkbox"/> 4 <input type="checkbox"/> 5 <input type="checkbox"/> 6 <input type="checkbox"/> 7 <input type="checkbox"/> 8 <input type="checkbox"/> 9																			
0 <input type="checkbox"/> 0 <input type="checkbox"/> 1 <input type="checkbox"/> 2 <input type="checkbox"/> 3 <input type="checkbox"/> 4 <input type="checkbox"/> 5 <input type="checkbox"/> 6 <input type="checkbox"/> 7 <input type="checkbox"/> 8 <input type="checkbox"/> 9																			
2 <input type="checkbox"/> 0 <input type="checkbox"/> 1 <input type="checkbox"/> 2 <input type="checkbox"/> 3 <input type="checkbox"/> 4 <input type="checkbox"/> 5 <input type="checkbox"/> 6 <input type="checkbox"/> 7 <input type="checkbox"/> 8 <input type="checkbox"/> 9																			
1 <input type="checkbox"/> 0 <input type="checkbox"/> 1 <input type="checkbox"/> 2 <input type="checkbox"/> 3 <input type="checkbox"/> 4 <input type="checkbox"/> 5 <input type="checkbox"/> 6 <input type="checkbox"/> 7 <input type="checkbox"/> 8 <input type="checkbox"/> 9																			
4 <input type="checkbox"/> 0 <input type="checkbox"/> 1 <input type="checkbox"/> 2 <input type="checkbox"/> 3 <input type="checkbox"/> 4 <input type="checkbox"/> 5 <input type="checkbox"/> 6 <input type="checkbox"/> 7 <input type="checkbox"/> 8 <input type="checkbox"/> 9																			
3 <input type="checkbox"/> 0 <input type="checkbox"/> 1 <input type="checkbox"/> 2 <input type="checkbox"/> 3 <input type="checkbox"/> 4 <input type="checkbox"/> 5 <input type="checkbox"/> 6 <input type="checkbox"/> 7 <input type="checkbox"/> 8 <input type="checkbox"/> 9																			
9 <input type="checkbox"/> 0 <input type="checkbox"/> 1 <input type="checkbox"/> 2 <input type="checkbox"/> 3 <input type="checkbox"/> 4 <input type="checkbox"/> 5 <input type="checkbox"/> 6 <input type="checkbox"/> 7 <input type="checkbox"/> 8 <input type="checkbox"/> 9																			
5 <input type="checkbox"/> 0 <input type="checkbox"/> 1 <input type="checkbox"/> 2 <input type="checkbox"/> 3 <input type="checkbox"/> 4 <input type="checkbox"/> 5 <input type="checkbox"/> 6 <input type="checkbox"/> 7 <input type="checkbox"/> 8 <input type="checkbox"/> 9																			
8 <input type="checkbox"/> 0 <input type="checkbox"/> 1 <input type="checkbox"/> 2 <input type="checkbox"/> 3 <input type="checkbox"/> 4 <input type="checkbox"/> 5 <input type="checkbox"/> 6 <input type="checkbox"/> 7 <input type="checkbox"/> 8 <input type="checkbox"/> 9																			
SUBJECT CODE																			
7 <input type="checkbox"/> 0 <input type="checkbox"/> 1 <input type="checkbox"/> 2 <input type="checkbox"/> 3 <input type="checkbox"/> 4 <input type="checkbox"/> 5 <input type="checkbox"/> 6 <input type="checkbox"/> 7 <input type="checkbox"/> 8 <input type="checkbox"/> 9																			
0 <input type="checkbox"/> 0 <input type="checkbox"/> 1 <input type="checkbox"/> 2 <input type="checkbox"/> 3 <input type="checkbox"/> 4 <input type="checkbox"/> 5 <input type="checkbox"/> 6 <input type="checkbox"/> 7 <input type="checkbox"/> 8 <input type="checkbox"/> 9																			
9 <input type="checkbox"/> 0 <input type="checkbox"/> 1 <input type="checkbox"/> 2 <input type="checkbox"/> 3 <input type="checkbox"/> 4 <input type="checkbox"/> 5 <input type="checkbox"/> 6 <input type="checkbox"/> 7 <input type="checkbox"/> 8 <input type="checkbox"/> 9																			
1 <input type="checkbox"/> 0 <input type="checkbox"/> 1 <input type="checkbox"/> 2 <input type="checkbox"/> 3 <input type="checkbox"/> 4 <input type="checkbox"/> 5 <input type="checkbox"/> 6 <input type="checkbox"/> 7 <input type="checkbox"/> 8 <input type="checkbox"/> 9																			
1 <input type="checkbox"/> 0 <input type="checkbox"/> 1 <input type="checkbox"/> 2 <input type="checkbox"/> 3 <input type="checkbox"/> 4 <input type="checkbox"/> 5 <input type="checkbox"/> 6 <input type="checkbox"/> 7 <input type="checkbox"/> 8 <input type="checkbox"/> 9																			
4 <input type="checkbox"/> 0 <input type="checkbox"/> 1 <input type="checkbox"/> 2 <input type="checkbox"/> 3 <input type="checkbox"/> 4 <input type="checkbox"/> 5 <input type="checkbox"/> 6 <input type="checkbox"/> 7 <input type="checkbox"/> 8 <input type="checkbox"/> 9																			

Answer **all** the questions.

Each question is followed by four options lettered A to D. Find the **correct** option for each question and shade in **pencil** on your answer sheet the answer space which bears the same letter as the option you have chosen. Give only **one** answer to **each** question. An example is given below.

In still life study, drawings are made from

- A. imagination.
- B. imitation.
- C. memory.
- D. observation.

The correct answer is observation which is lettered D and therefore answer space D would be shaded. A B C D

Think carefully before you shade the answer spaces; erase completely any answers you wish to change.

Do all rough work on this question paper.

Now answer the following questions.

1. One reason for studying visual art is to
 - A. become civilized.
 - B. enable one fight injustice.
 - C. foster creativity.
 - D. learn to become patriotic.

2. The Indian figure *Lord of the Dance* was executed in
 - A. bronze.
 - B. cement.
 - C. granite.
 - D. wood.

3. Non-representational art is also known as
 - A. abstract art.
 - B. naturalistic art.
 - C. realistic art.
 - D. romantic art.

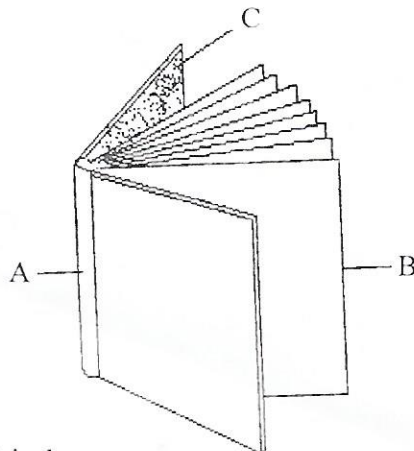
4. The original *Discus Thrower* by Myron was
 - A. bronze.
 - B. iron.
 - C. marble.
 - D. quartz.

5. Claude Monet is associated with
 - A. Cubism.
 - B. Expressionism.
 - C. Fauvism.
 - D. Impressionism.

6. Which of these is **true** of art appreciation?
 - A. Good works are designed
 - B. Mistakes in art work are criticized
 - C. Work of art is discussed without judging it
 - D. Work of art is explained and judged

7. The human head in most African sculpture is exaggerated because
- the carvers have no formal training.
 - the carvers love big heads.
 - it is carved to meet the demand of clients.
 - it is considered to be the seat of power.
8. The concept of art which deals with the appreciation of beauty is referred to as
- aesthetics.
 - criticism.
 - perception.
 - perspective.
9. Which of the following textures is visual?
- Bark of trees
 - Cardboard
 - Photography
 - Wall surface
10. A resourceful artist
- appreciates his national and cultural heritage.
 - relies on foreign tools and materials for his work.
 - understands and applies scientific knowledge.
 - uses tools and materials from his environment.
11. To perceive with kinaesthetic sense is to
- feel the weight of an object.
 - imagine the real size of an object.
 - smell a scent.
 - taste the flavour of food.
12. Perception is a process of
- creating.
 - criticising.
 - drawing.
 - thinking.

Use the drawing below to answer Questions 13 to 15.



13. The area labelled A is the
- end paper.
 - fore-edge.
 - head.
 - spine.

Turn over

14. What is the name of the area labelled B?
 A. End paper
 B. Fore-edge
 C. Head
 D. Spine
15. The name of the area marked C is the
 A. end paper.
 B. fore-edge.
 C. head.
 D. spine.
16. Ancient Greek and African arts are similar because they
 A. dwelt on spherical shapes.
 B. immortalized the dead.
 C. practised abstraction.
 D. projected the human figure.
17. A caveman's media for artistic expression comprised
 A. earth colours, charcoal and stones.
 B. oil colours, polish and metals.
 C. plasticine, wax and acrylics.
 D. plastics, pastel and rubber.
18. The repetition of elements to provide progressive and related movement is termed
 A. dominance.
 B. opposition.
 C. rhythm.
 D. unity.
19. To change a yellow cloth into green colour, it should be dyed in
 A. black.
 B. blue.
 C. purple.
 D. red.
20. Which group of letters comprises a combination of **only** strokes and lobes?
 A. BDPR
 B. FJMX
 C. CQSU
 D. RCJK
21. In a Ghanaian society, triangle symbolizes
 A. beauty.
 B. femininity.
 C. fertility.
 D. sanctity
22. Which paper is ideal for charcoal drawing?
 A. Bond paper
 B. Ingress
 C. Newsprint
 D. Sugar paper

23. Gold is used at outdoorings **mainly** to signify
- A. continuous life.
 - B. prosperity of the state.
 - C. purity.
 - D. rule of king.
24. *Kyenkyen* and *Tapa* are produced from
- A. leather.
 - B. rubber.
 - C. silk cotton.
 - D. tree bark.
25. The canoe symbol of star signifies
- A. hope.
 - B. light.
 - C. protection.
 - D. stability.
26. The **most** important aspect of a traditional carving is its
- A. beauty.
 - B. meaning.
 - C. size.
 - D. smoothness.
27. At puberty, white is **mainly** used to signify
- A. love and tenderness.
 - B. newness and fertility.
 - C. purity and virginity.
 - D. vitality and growth.
28. Which of the following is an indigenous African communal object?
- A. Domestic stool
 - B. Mask
 - C. Mortar
 - D. Wooden comb
29. The tool for transferring hot wax in batik design is called
- A. pliers.
 - B. rollers.
 - C. squeegee.
 - D. tjanting.
30. The acid used to etch a design on a metal plate is referred to as
- A. agent.
 - B. material.
 - C. substance.
 - D. tool.
31. Pyrography refers to
- A. engraving on metals.
 - B. etched design on metal.
 - C. incised contours on wood.
 - D. scorched designs on wood.

32. A heavy application of paint onto canvas is called
- A. chiaroscuro.
 - B. impasto.
 - C. sfumato.
 - D. stippling.
33. Which of the following statements **best** defines a ferrule?
- A. A hollow container for reproducing forms
 - B. An article made from wood
 - C. The metal part of an artist's brush
 - D. The wooden part of a brush
34. The **largest** number of rock engravings and paintings are located in
- A. Kenya.
 - B. Kilimanjaro.
 - C. Tassili.
 - D. Uganda.
35. An all-over pattern begins with
- A. counter change.
 - B. full drop.
 - C. motif.
 - D. ogee.
36. Animism involves belief in
- A. ancestral veneration.
 - B. life after death.
 - C. spirits.
 - D. witchcraft.
37. In making direct prints, ideas are collected from
- A. books.
 - B. screens.
 - C. stencils.
 - D. surfaces.
38. Directional information is usually found on
- A. banners.
 - B. billboards.
 - C. signboards.
 - D. signposts.
39. Processed material which is meaningful to the user in computing is called
- A. data.
 - B. file.
 - C. information.
 - D. record.
40. A surface that is made to appear tactile is referred to as
- A. actual texture.
 - B. coarse texture.
 - C. simulated texture.
 - D. smooth texture.

END OF PAPER